

# AMRITA VIDYALAYAM

## HALF YEARLY EXAMINATION 2017 - '18

Name : .....

Marks : 50

Class : I

Time : 2 hrs

### MATHEMATICS

#### KNOWLEDGE

#### I. Fill in the blanks.

10

1. The number that comes before 20 is \_\_\_\_\_.
2. The shape of a match box is \_\_\_\_\_.
3.  $8 + 1 =$  \_\_\_\_\_.
4.  $6 - 6 =$  \_\_\_\_\_.
5. A football is shaped like a \_\_\_\_\_.
6.  $18 =$  \_\_\_\_\_ tens and \_\_\_\_\_ ones.
7. A triangle has \_\_\_\_\_ sides.
8. The numeral for eleven is \_\_\_\_\_.
9. 12, \_\_\_\_\_, 14
10. 16, 18, 12 Circle the biggest number.

#### UNDERSTANDING

#### II. Circle the one which is big.

2



#### III. Put the correct symbol $<$ , $>$ or $=$ .

2

1.  $16 \square 16$

2.  $14 \square 9$

#### IV. Solve and write the correct answers from the brackets.

2

1.  $5 + 4 =$  \_\_\_\_\_. (5, 9, 4)

2.  $7 + 0 =$  \_\_\_\_\_. (0, 1, 7)

**V. Draw line to match the numbers with number names.**

6

	Twenty	
14	Seventeen	8
16	Fourteen	17
19	Nineteen	20
	Eight	
	Sixteen	

**VI. Write in ascending order.**

1

6, 12, 3, 13 \_\_\_\_\_

**VII. Write the correct answer from the brackets.**

2

1.  $10 - 6 = \underline{\quad}$ . (6, 4, 3)                      2.  $9 - 7 = \underline{\quad}$ . (7, 2, 0)

**APPLICATION**

**VIII.1.** Riya has 9 crayons, she gave 3 crayons to Sonu. How many crayons are left?

2½

There are \_\_\_\_\_ crayons left.

○  
□ ○  
\_\_\_\_\_  
\_\_\_\_\_

2. One pencil costs 2 rupees. One pen costs 5 rupees.  
The total cost of both is \_\_\_\_\_.

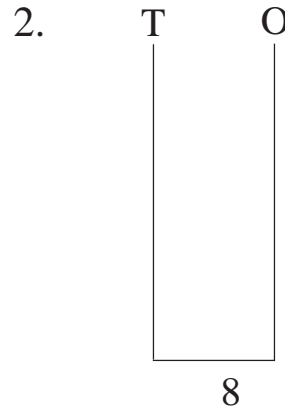
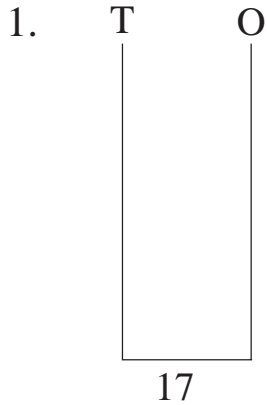
2½

○  
□ ○  
\_\_\_\_\_  
\_\_\_\_\_

## SKILL

### IX. Draw beads on the abacus and write the number names.

2



### X. Add.

4

1.     7  
+ 2  
——

2.     6  
+ 4  
——

3.     4  
+ 4  
——

4.     6  
+ 0  
——

### XI. Subtract.

4

1.     8  
- 6  
——

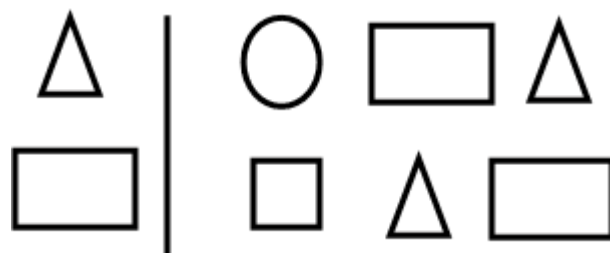
2.     7  
- 7  
——

3.     9  
- 0  
——

4.     7  
- 2  
——

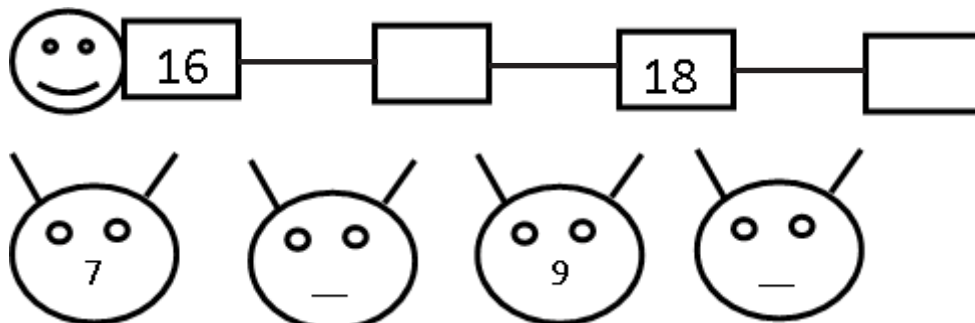
### XII. Colour the shapes that are same.

2



### XIII. Write the missing numbers.

2



**XIV. Add using number strip.**

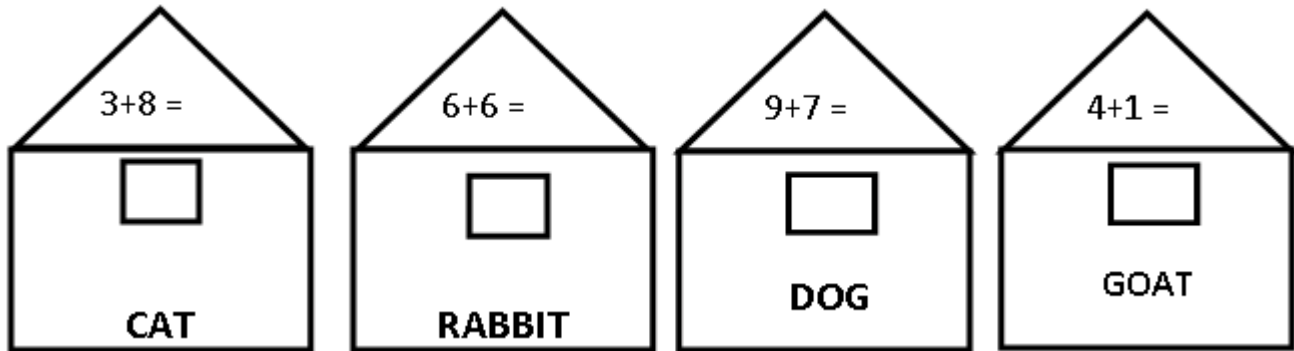
2

1.  $3 + 6 = \underline{\hspace{2cm}}$ .

0	1	2	3	4	5	6	7	8	9	10
---	---	---	---	---	---	---	---	---	---	----

**XV. Who lives where?**

4



1.                    lives in house number 12
2.                    lives in house number 5
3.                    lives in house number 11
4.                    lives in house number 16